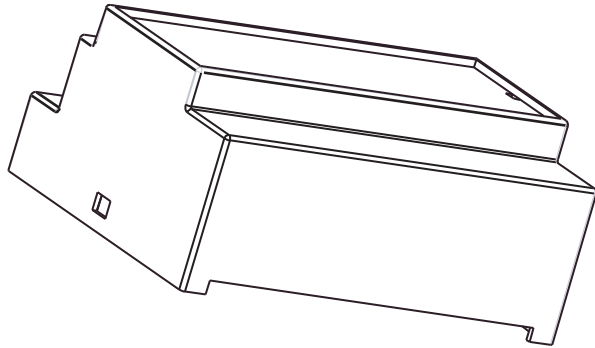


# 9 MODULE ENCLOSURES

## 1570 High/Low

**SERIES**  
**M9**

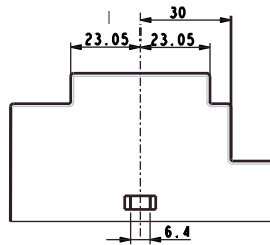
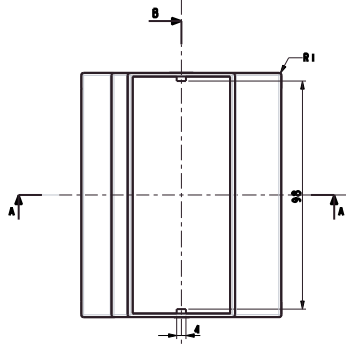
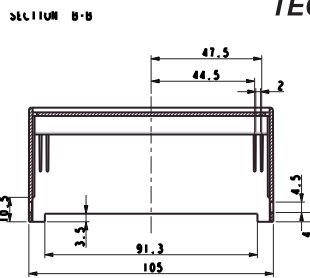
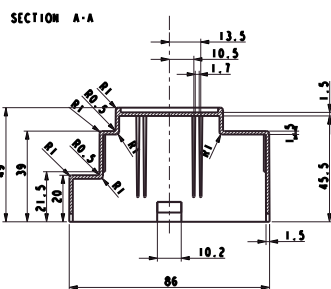


Module enclosure for M36 DIN-rail.

Series High/Low is, if requested, available in several colours and with custom made holes in the front.

Lid, PCB, customized label and packing is available. Possibility for both base and top PCB. A closed version without terminals is also available.

Trimmers and spindles that fit the height of the box are available.



### TECHNICAL DATA:

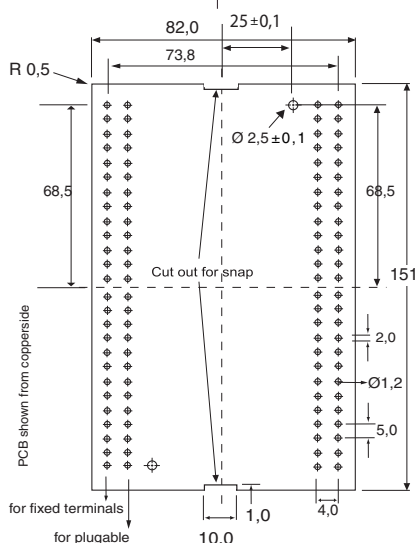
#### TOP PART:

Material: Lexan 940  
 Colour: Grey (RAL 7035)  
 Max. temperature: 100°C  
 Width: 157 mm  
 (9 modules)  
 Label measurement: 41.0 x 152.0 mm  
 Self-extinguishing: Acc. to UL94-V0  
 IP Protection: IP 20

#### BASE PART:

Material: Noryl VO 1550  
 Colour: Black (RAL 9005)  
 Max. temperature: 100°C  
 Max. wire dia.: 2 x 2.5 mm<sup>2</sup>  
 Max. load: 10A (for higher load please enquire)  
 Terminals: 52 fixed or plugable  
 Mounting: DIN-rail (EN50022)  
 Self-extinguishing: Acc. to UL94-V0

### HORIZONTAL PCB DIMENSIONS:



TYPE 1570:	ORDER CODE:
Top part, grey, 605 / 250, fixed terminals	p/n 497933572
Top part, grey, 257, plugable	p/n 497933571
Top part, grey, closed, no terminals	p/n 497933570
Base part with clip and 2 screws	p/n 4969021571
DIN-rail clip for 1570	p/n 0669000604
Transparent lid for 1570	p/n 4969011570
Packing for 1570	p/n 2068157000
Raw PCB for 1570	p/n 4999001570
Terminal for 1570, 257/13, HO/A, PCB part	p/n 1155713580
Terminal for 1570, 256/13, wire part	p/n 1155613080
Terminal for 1570, 605/13, fixed terminals	p/n 3950141308
Screw/selfcutting 2 pcs.	p/n 7006102965

Many more p/n available - please enquire.

● All measurements are in mm.

●● Please note that most plugable terminals are in 5,08 pitch and need a bigger hole in the PCB