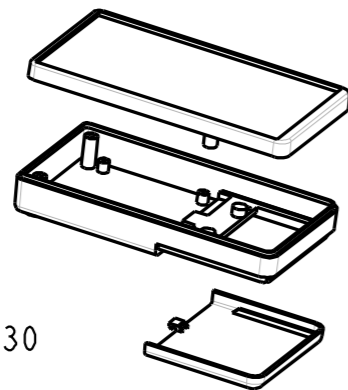
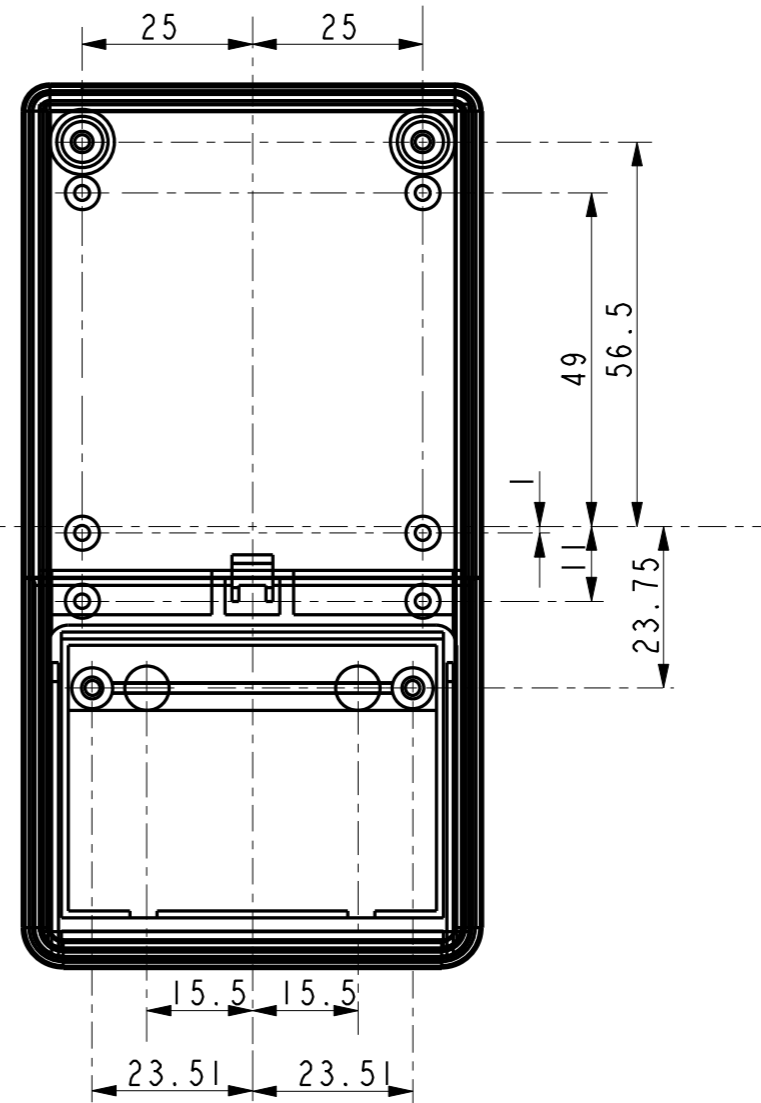
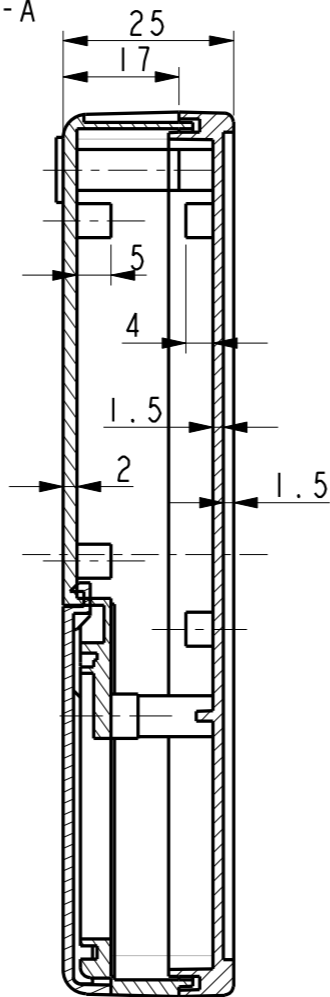


SECTION A-A



SCALE 0.330

The same Article can be delivered in black (P/N 4.969.863.001)

Dato: 13-Mar-09		BERNIC A/S	
Skala: 1.000	Kunde:		Sheet 1 of 1
Tol.: DS/ISO 2768 - m	Materiale: ABS UL-94 V0	Farve: Grey	
Emne nr.: 4.969.883.001	3D model: 3001_ASSEM_ENCL_CCT	Tegn. nr.: BC 302	
Betegnelse: Type 3001, sealed handheld enclosure			Fit: 3001_ASSEM_ENCL_CCT