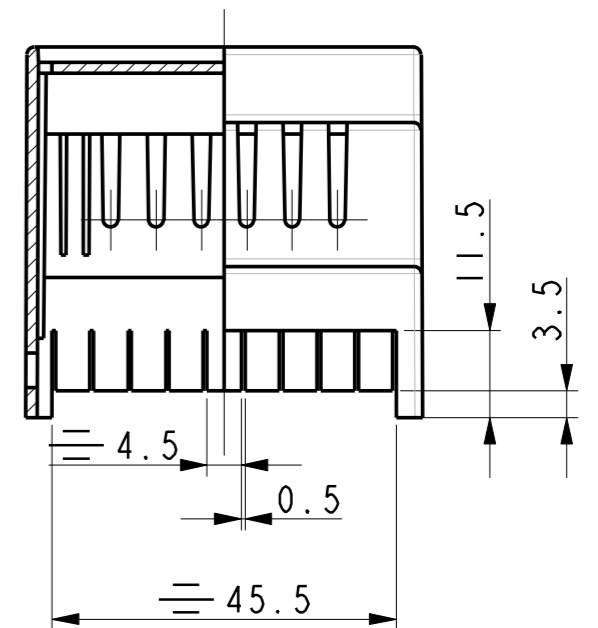
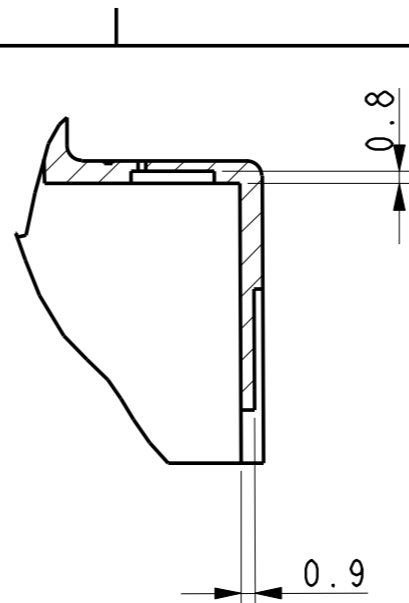
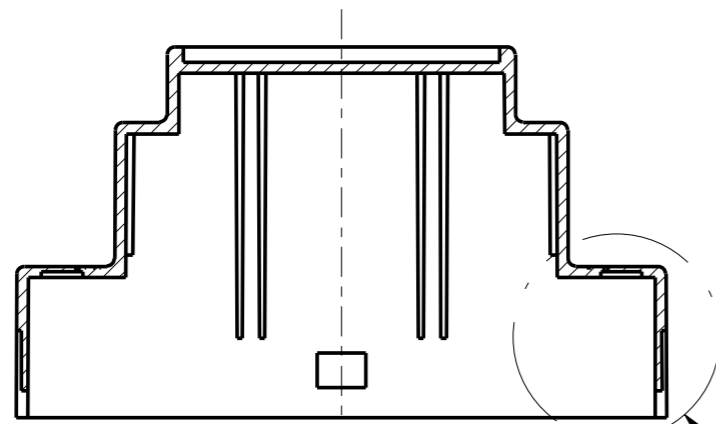


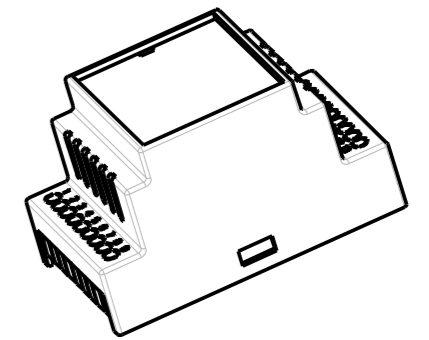
SECTION A-A

DETAIL X
SCALE 2.000

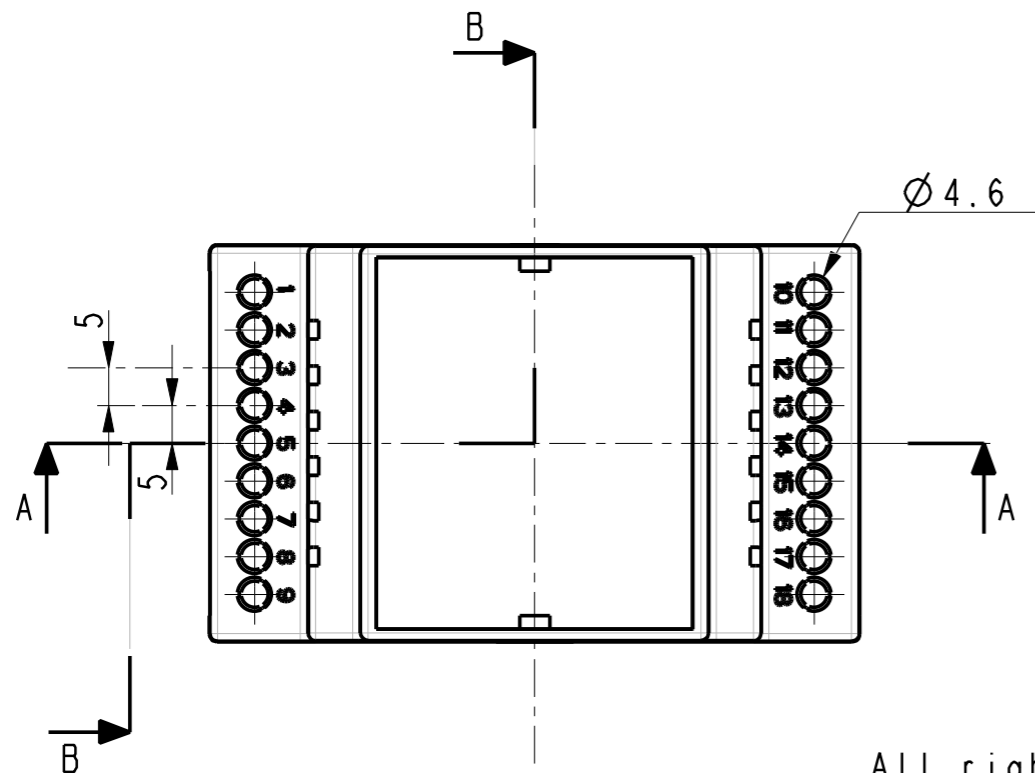
SECTION B-B



SEE DETAIL X



SCALE 0.500



All rights strictly reserved.
Production or issue to
third parties in any form
whatever is not permitted
without written authority
from the proprietors.

Registered design file: 2020060001255 ©

Missing measures: look at drawing no BC 331

Dato: 27-Oct-10	BERNIC A/S	
Skala: 1.000	Kunde:	Sheet 1 of 1
Tol.:	Materiale:	Farve:
DS/ISO 2768 - m	PC	Grey 70350
Emne nr.:	3D model:	Tegn. nr.:
n.nnn.nnn.nnn	525_ENCL-08	BC 338
Betegnelsen:	Type 525, ventilated, knock out	Fil: 525_ENCL-08