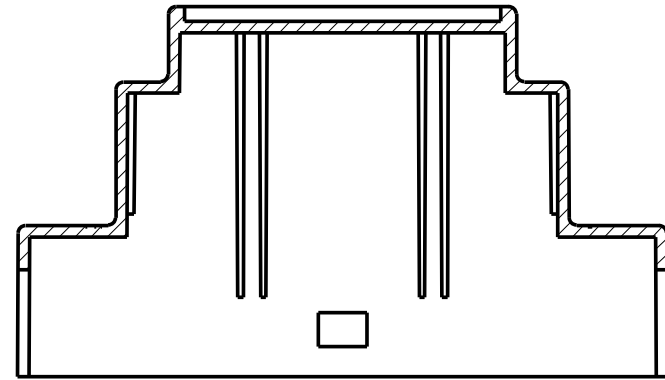
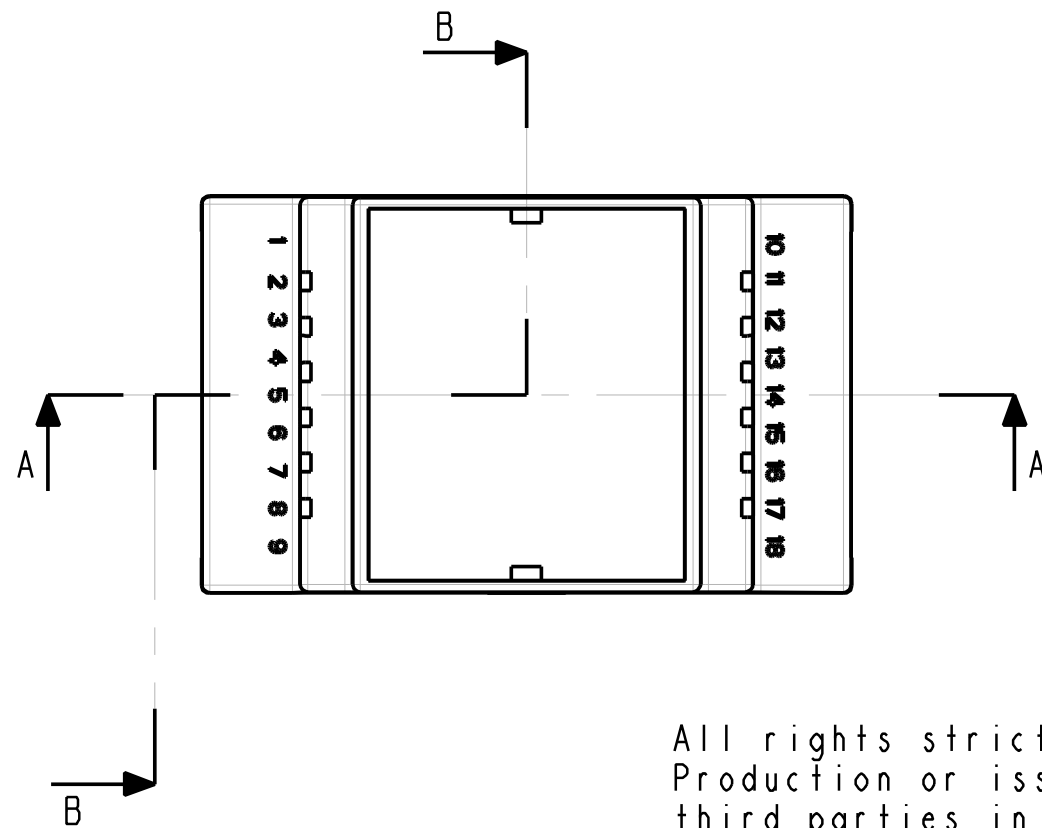
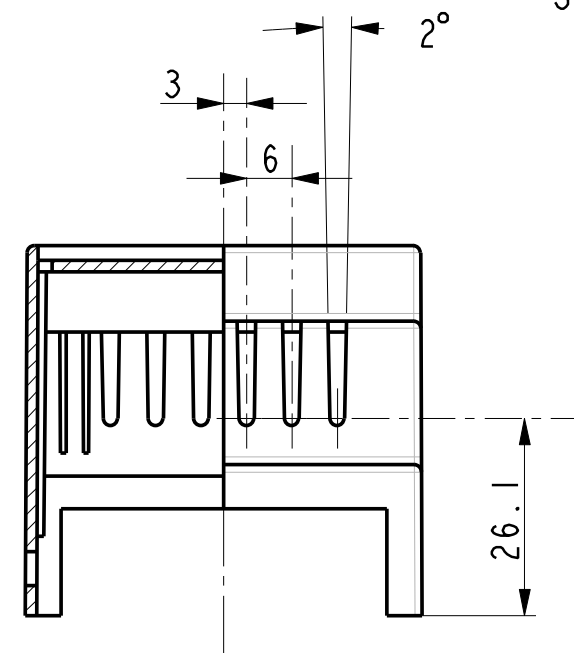


SECTION A-A



SECTION B-B



All rights strictly reserved.
 Production or issue to
 third parties in any form
 whatever is not permitted
 without written authority
 from the proprietors.

Registered design file: 2020060001255 ©

Missing measures: look at drawing no BC 331

Dato: 26-Mar-12	BERNIC A/S	
Skala: 1.000	Kunde:	Sheet 1 of 1
Tol.: DS/ISO 2768 - m	Materiale: PC	Farve: Grey 70350
Emne nr.: n.nnn.nnn.nnn	3D model: 525_ENCL-10	Tegn. nr.: BC 344
Betegnelsen:	Type 525, fixed terminals, ventilated	
		Fil: 525_ENCL-10