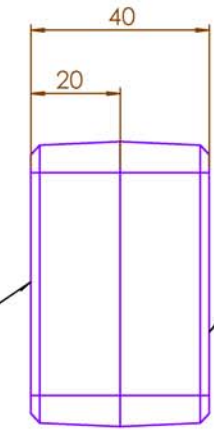
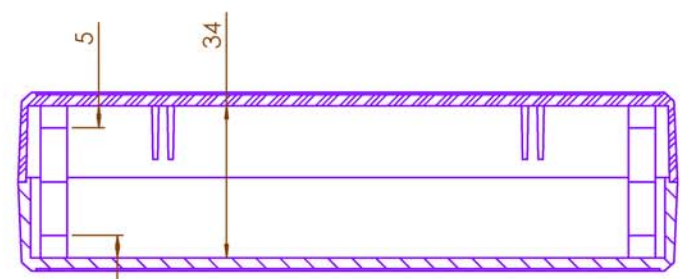


Interchangeable Insert
Size: 140 x 56 mm.

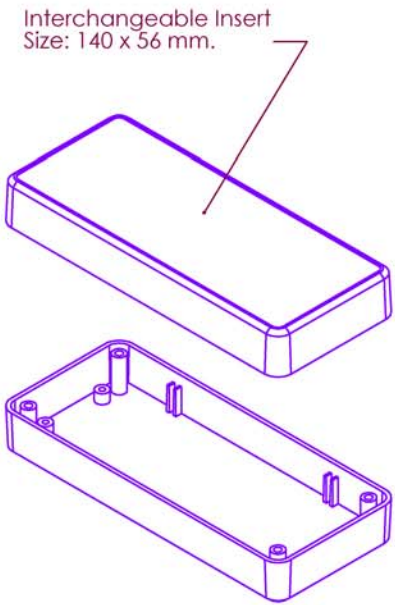
Top Insert
Size: 140 x 56 mm.
Recessed; 0.6 mm.



Bottom Inter
Size: 140 x 56 mm.
Recessed: 0.6mm.



A-A

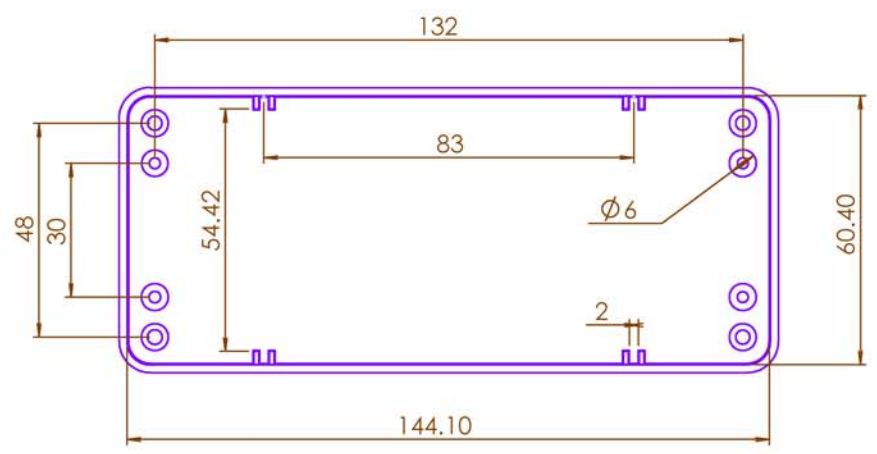


Interchangeable Insert
Size: 140 x 56 mm.

6035 Enclosure

Size: 148 x 64 x 40 mm.
Material: Flame Retardant
ABS UL-94V0 Resin

- Supply:
- 1, Fixing screws x 4 pcs.
 - 2, PCB mounting screw x 4 pcs.
- Option:
- 1, Insert: recessed 1.0mm for membrane SW.
 - 2, Cut-Out opening.



<h1>Bernic</h1>	1996, 5, 08	1 : 1
	6035 Dimension Drawing	
	148 x 64 x 40 mm	v1.0