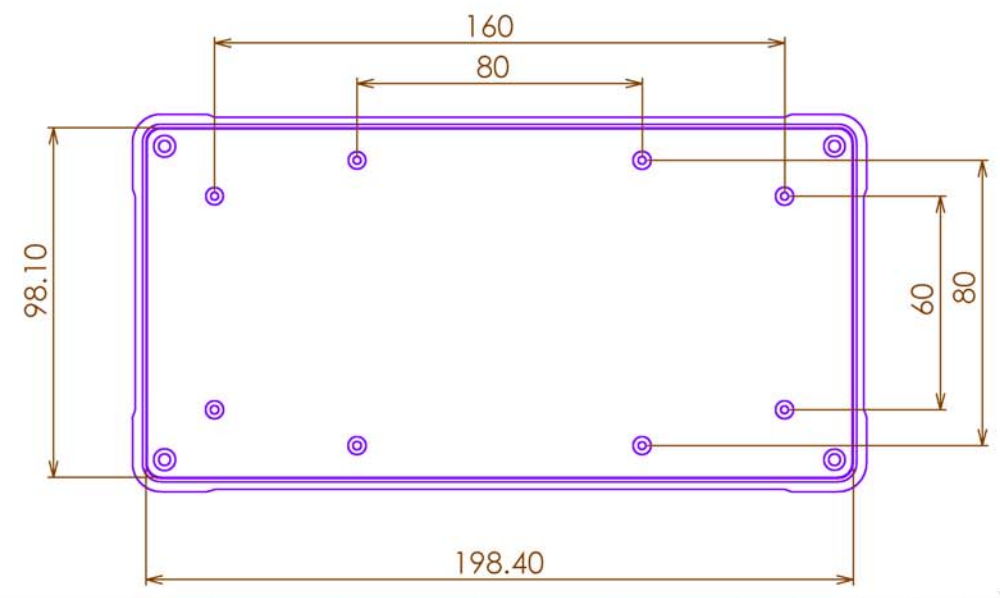
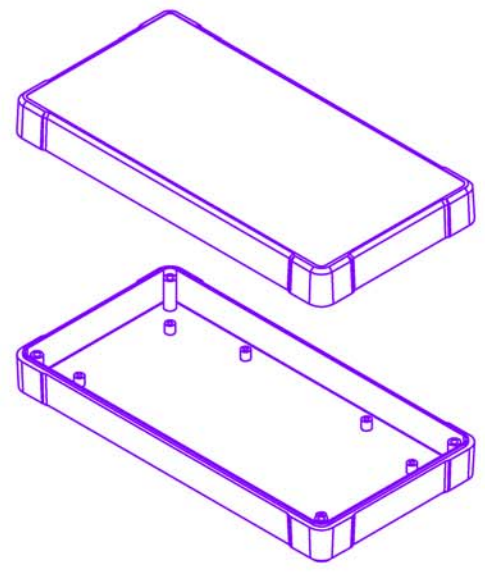


**6065 Enclosure**  
 Size: 200 x 100 x 40 mm.  
 Material: Flame Retardant Resin  
 ABS UL-94V0

Supply:  
 1, Fixing screws x 4 pcs.  
 2, PCB mounting screw x 4 pcs.

Top Recessed Are: 196.6 x 96.6 mm.

A-A



<b>Bernic</b>	1998, 8, 15	1 : 1
	6065 Dimension Drawing	
	206 x 106 x 40 mm	v1.0