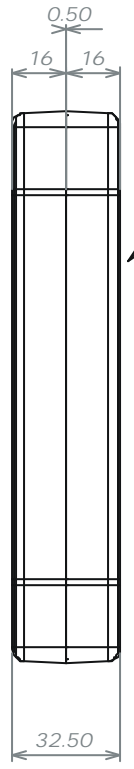
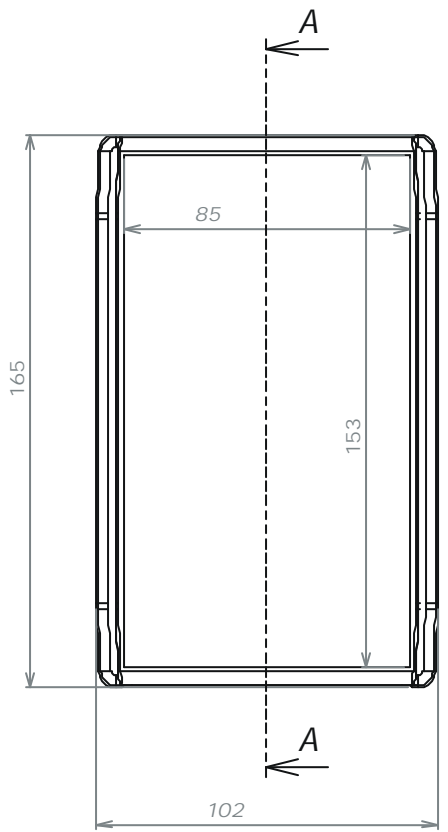


1 2 3 4 5 6 7 8

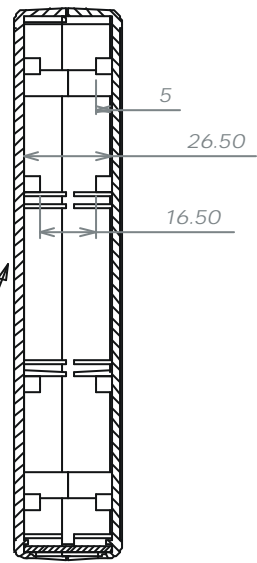
A  
B  
C  
D  
E  
F

A  
B  
C  
D  
E  
F

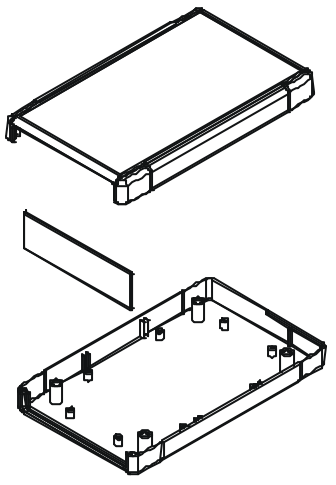
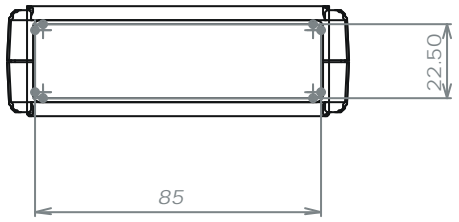
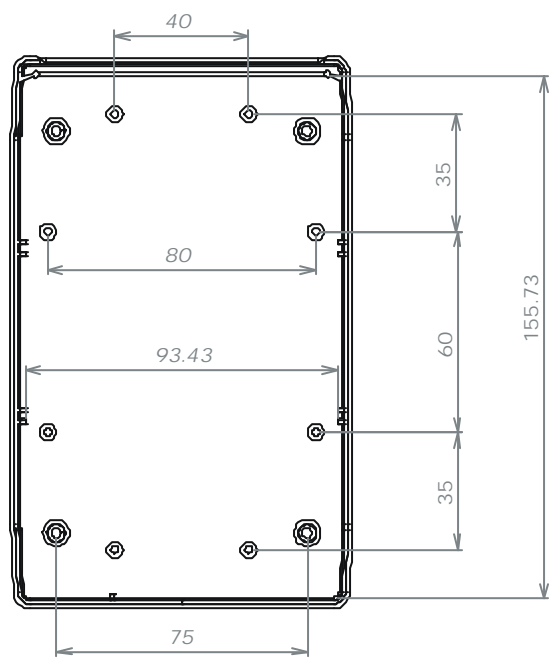


Bottom Cover  
Insert Area  
153 x 85 mm

Top Cover  
Insert Area  
153 x 85 mm



A-A



Bernic A/S	
	Type 3165 Drawing

1 2 3 4 5 6 7 8