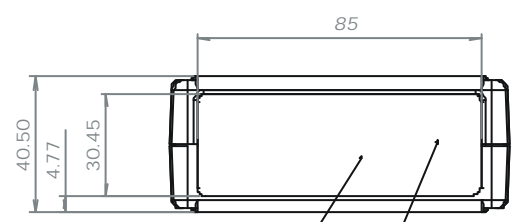
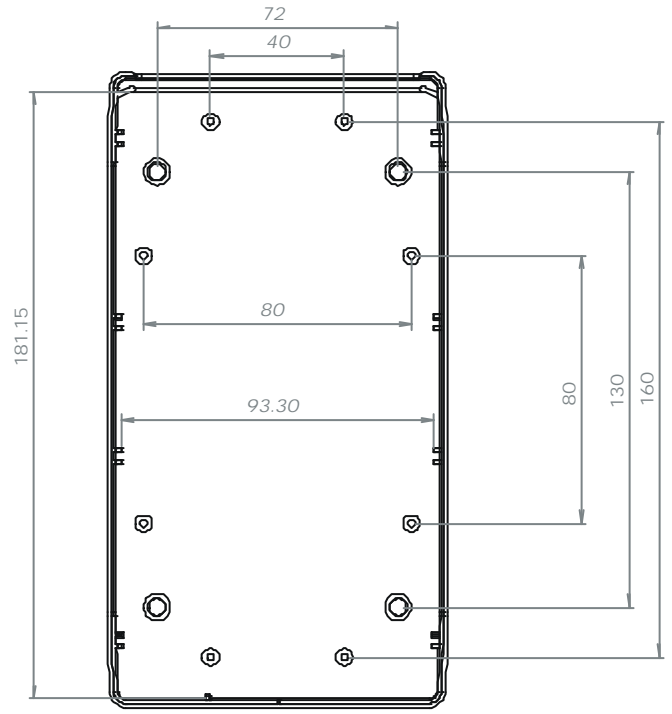
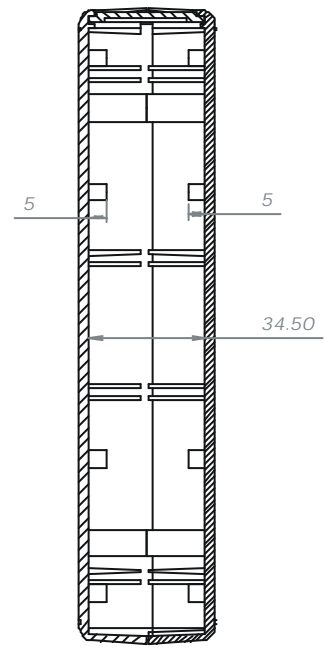
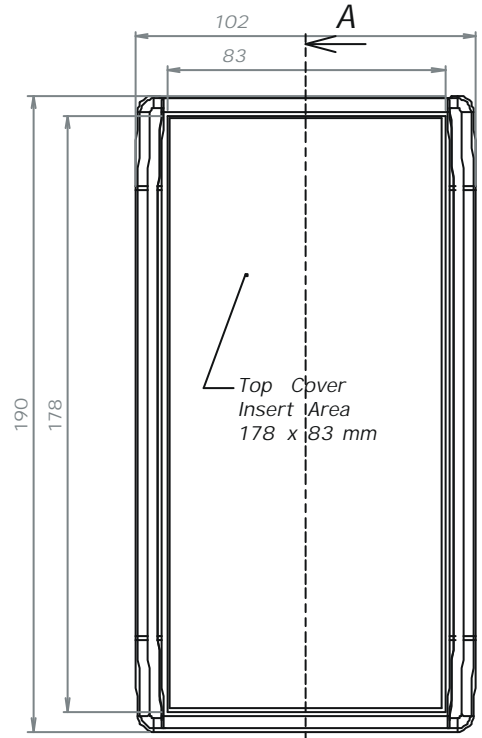
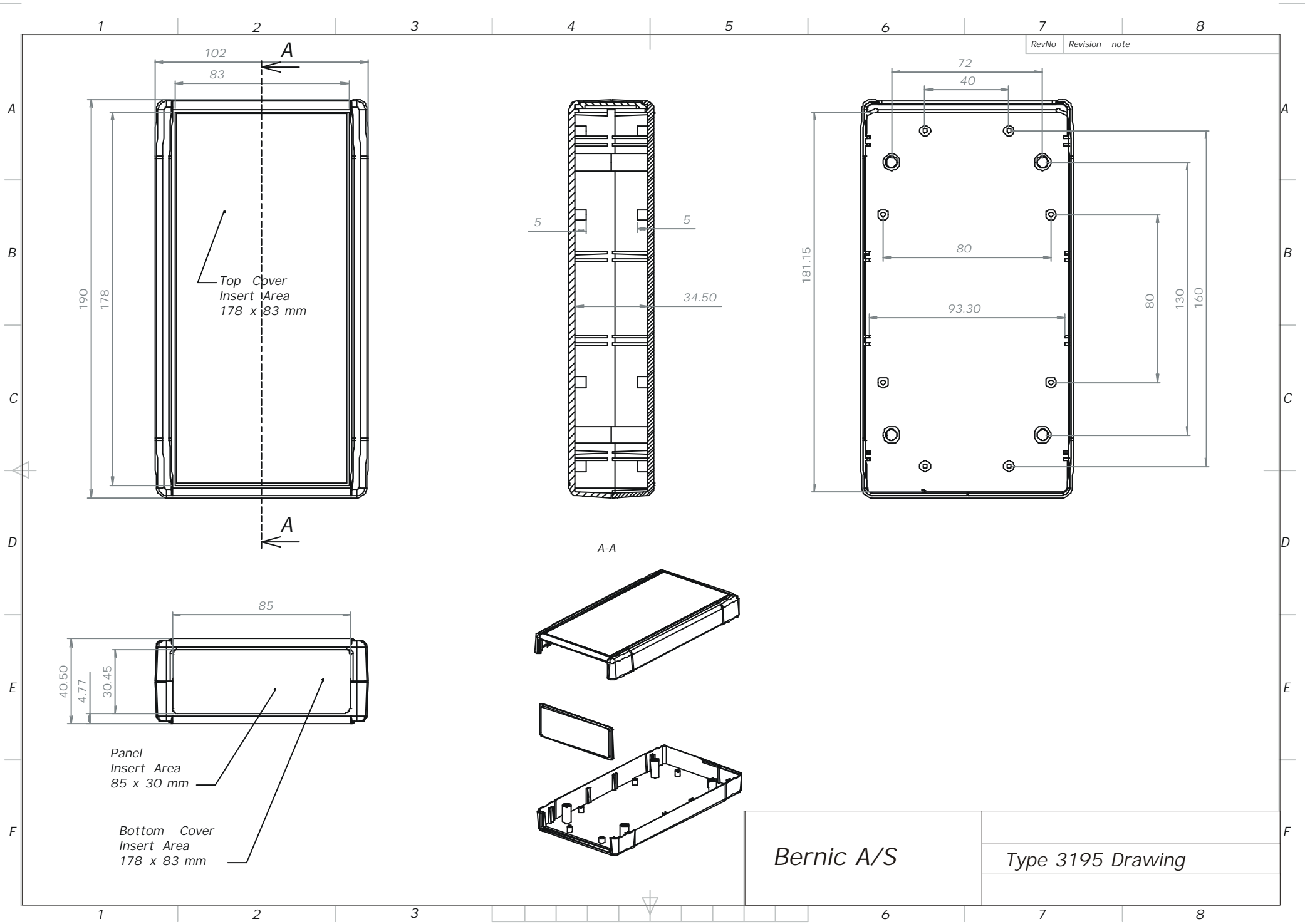
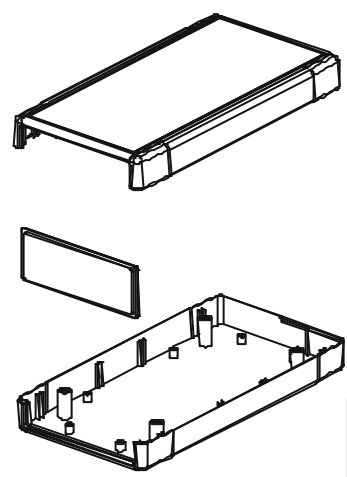


RevNo	Revision	note



Panel
Insert Area
85 x 30 mm

Bottom Cover
Insert Area
178 x 83 mm



Bernic A/S

Type 3195 Drawing