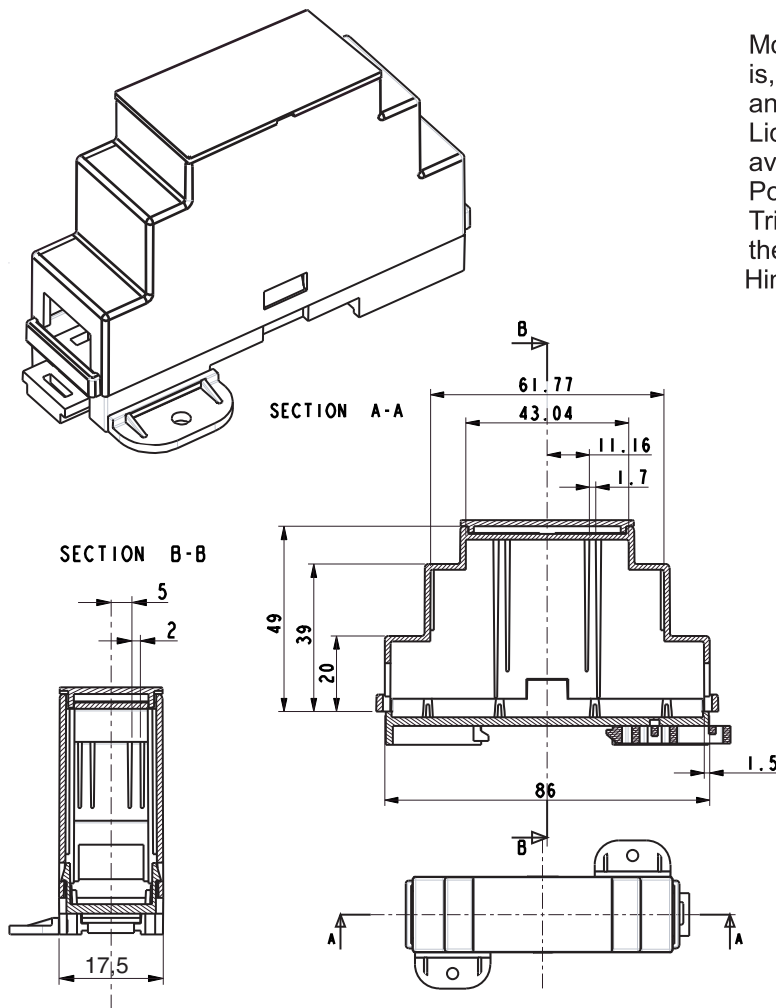


# 1 MODULE ENCLOSURE FOR M36 DIN-RAIL

## SERIES 170



Module enclosure for M36 DIN-rail. Series 170 is, if requested, available in several colours and with customer specified holes in the front. Lid, PCB, customized label and packing is available.

Possibility for both base and top PCB.  
Trimmers and spindles that fit the height of the box are available.  
Hinged lid and open front available.

### TECHNICAL DATA:

#### TOP PART:

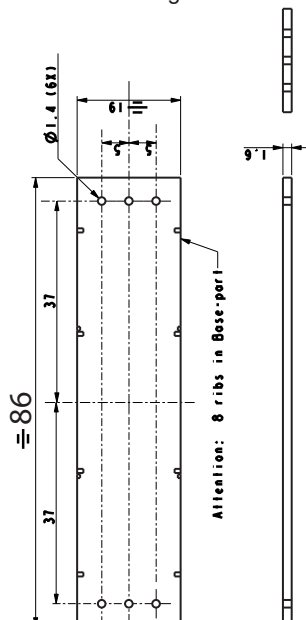
Material: Lexan945  
Colour: Grey (RAL 7035)  
Max. temperature: 100°C  
Width: 17,5 mm  
(1 module)  
Label measure: 41.0 x 12.3 mm  
Self-extinguishing: Acc. to UL94-V0  
IP Protection: IP 20

#### BASE PART:

Material: Noryl VO 1550  
Colour: Black (RAL7005)  
Max. temperature: 100°C  
Max. wire dia.: 2 x 2.5 mm<sup>2</sup>  
Max. load: 16 A (for higher load please enquire)  
Terminals: 2 x 3 fixed or plugable  
Mounting: DIN-rail (EN50022)  
Self-extinguishing: Acc. to UL94-V0

For detailed drawings please see [www.bernic.dk](http://www.bernic.dk)  
or ask for a CAD drawing

HORIZONTAL PCB DIMENSIONS:



TYPE 170	ORDER CODE:
Complete, 257 for plugable	p/n 4969011171
Complete, 605 for fixed or screw-less terminals	p/n 4969011172
Complete, closed, no terminals	p/n 4969011170
Top part, grey, 257 for plugable	p/n 4969010171
Top part, grey, 605 for fixed terminals version	p/n 4969010172
Top part, grey, closed, no terminals	p/n 4969010170
Base part with clip and 2 screws	p/n 4969002170
DIN-rail clip for 170	p/n 0669000225
Terminal for 170 , 257/3, HO/A, PCB part	p/n 1155703580
Terminal for 170 , 256/3, wire part	p/n 1155603080
Terminal for 170 , 605/3, fixed terminals	p/n 3950143108
Packing for 170	p/n 2068175000
Screw/selfcutting 2 pcs.	p/n 7006102965

Many more p/n available - please enquire

- All measurements are in mm
- Please note that most plugable terminals are in 5,08 pitch and need a bigger hole in the PCB