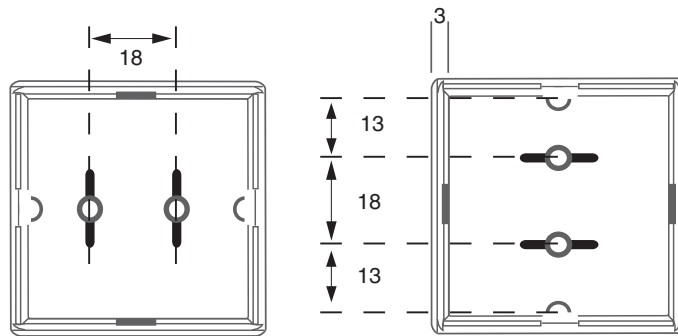
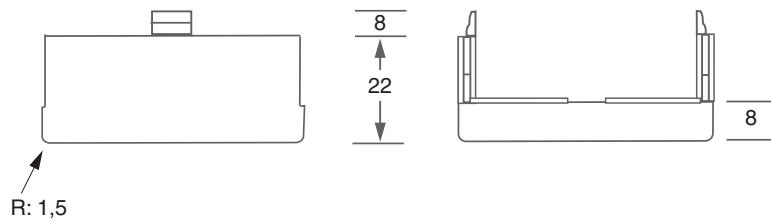
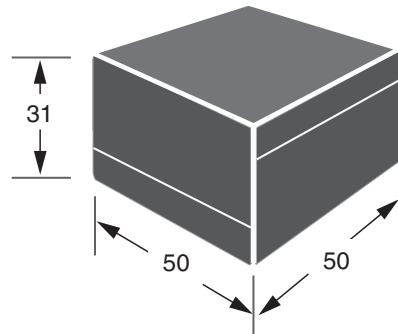


Series B 505030



- All measurements are in mm.