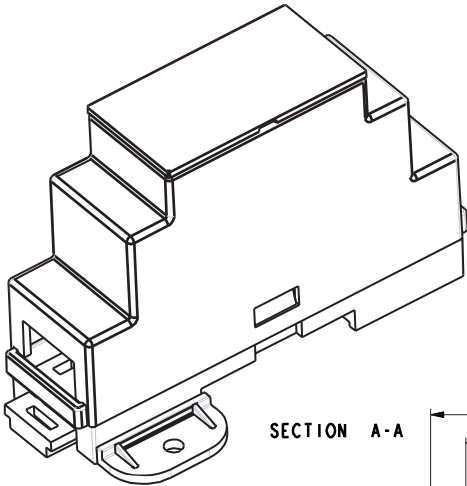


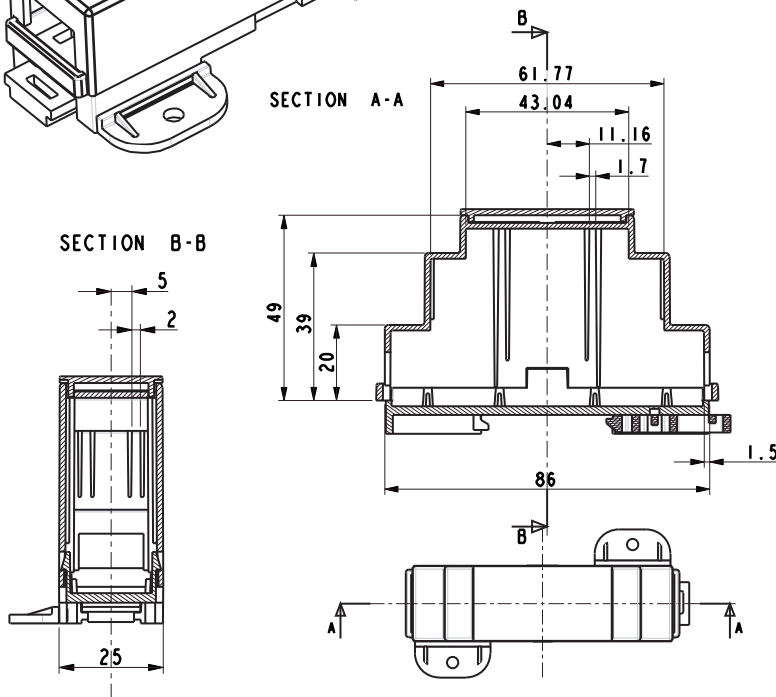
# 2 MODULE ENCLOSURE FOR M36 DIN-RAIL

## SERIES 250



Module enclosure for M36 DIN-rail. Series 250 is, if requested, available in several colours and with customer specified holes in the front. Lid, PCB, customized label and packing is available.

Possibility for both base and top PCB. Trimmers and spindles that fit the height of the box are available. Hinged lid and open front available.



### TECHNICAL DATA:

#### TOP PART:

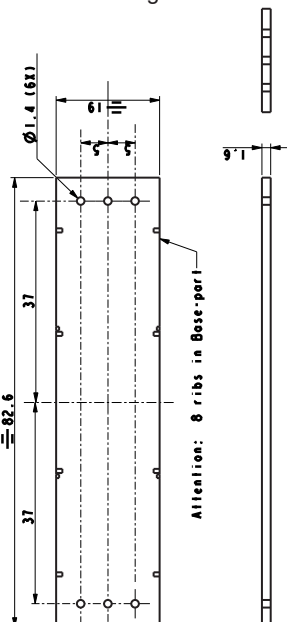
Material: Lexan 945  
 Colour: Grey (RAL 7035)  
 Max. temperature: 100°C  
 Width: 25.0 mm  
 (1½ modules)  
 Label measure: 41.0 x 21.4 mm  
 Self-extinguishing: Acc. to UL94-V0  
 IP Protection: IP 20

#### BASE PART:

Material: Noryl VO 1550  
 Colour: Black (RAL 7005)  
 Max. temperature: 100°C  
 Max. wire dia.: 2 x 2.5 mm<sup>2</sup>  
 Max. load: 16A (for higher load please enquire)  
 Terminals: 8 fixed or plugable  
 Mounting: DIN-rail (EN50022)  
 Self-extinguishing: Acc. to UL94-V0

For detailed drawings please see [www.bernic.dk](http://www.bernic.dk) or ask for a CAD drawing

### HORIZONTAL PCB DIMENSIONS:



TYPE 250	ORDER CODE:
Complete, 257 for plugable 2x4 terminal	p/n 4969011251
Complete, 605 for fixed or screw-less terminals	p/n 4969011252
Complete, 605 x 4 terminal	p/n 4969011254
Complete, closed, no terminals	p/n 4969011250
Top part, grey, 257 for plugable	p/n 4969005251
Top part, grey, 605 for fixed terminals version	p/n 4969005252
Top part, grey, closed, no terminals	p/n 4969005250
Base part with clip and 2 screws	p/n 4969009251
DIN-rail clip for 250	p/n 0669000225
Terminal for 250, 257/5, HO/A, PCB part	p/n 1155704580
Terminal for 250, 256/5, wire part	p/n 1155604080
Terminal for 250, 605/5, fixed terminals	p/n 3950144108
Packing for 250	p/n 2068350250
Raw PCB for 250	p/n 4999000250
Screw/selfcutting 2 pcs.	p/n 7006102965

Many more p/n available - please enquire

- All measurements are in mm
- Please note that most plugable terminals are in 5,08 pitch and need a bigger hole in the PCB