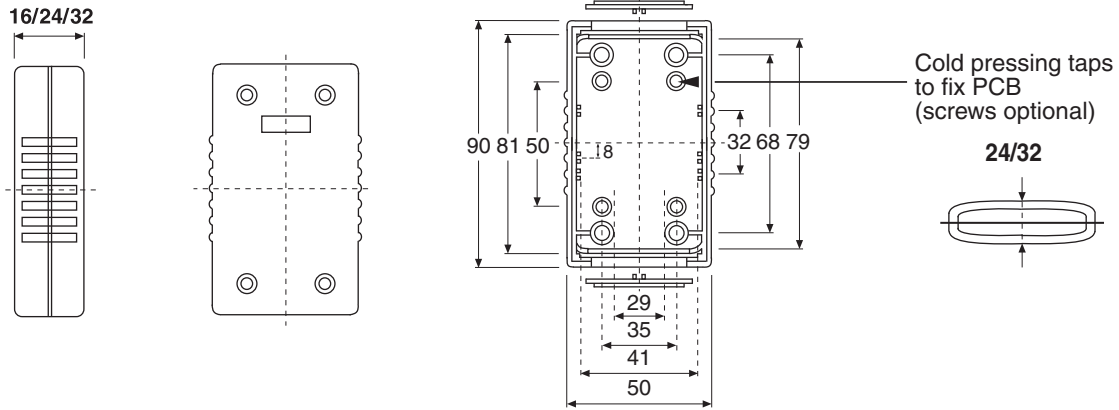
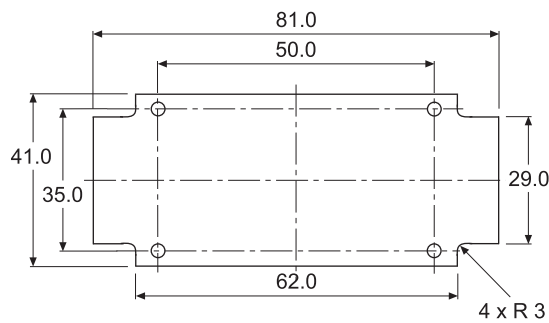


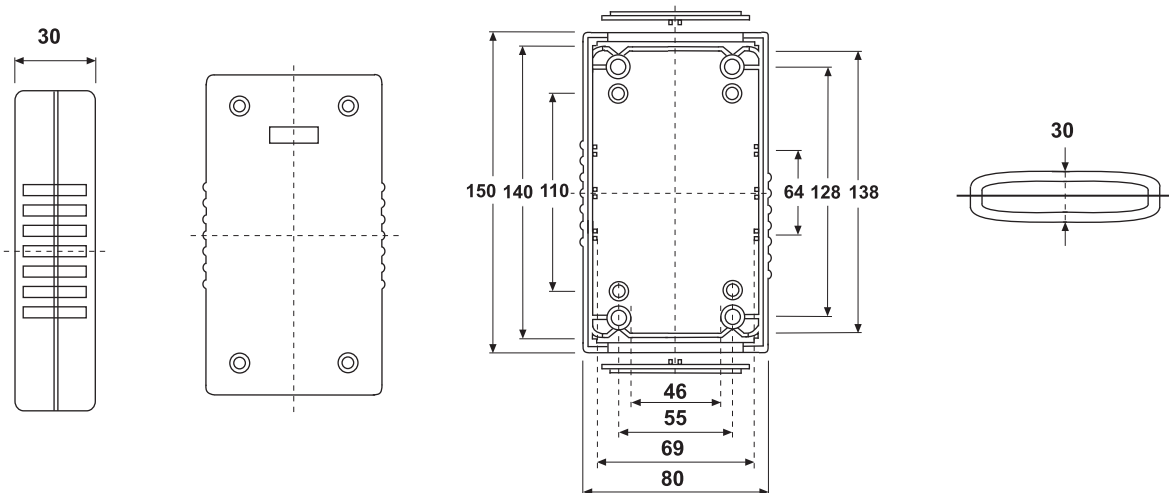
# TYPE 403



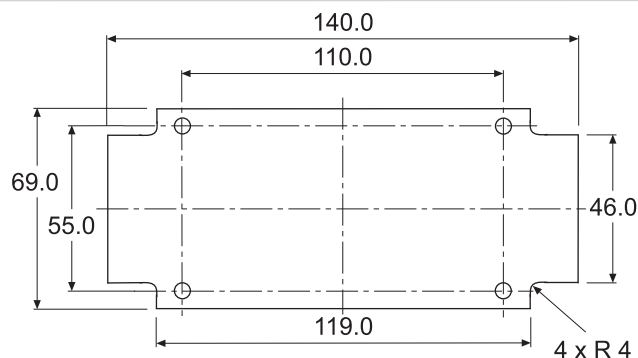
# PCB DIMENSIONS FOR 403



# TYPE 413



# PCB DIMENSIONS FOR 413



● All measurements are in mm.