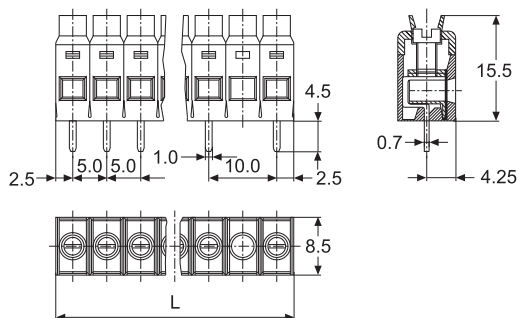
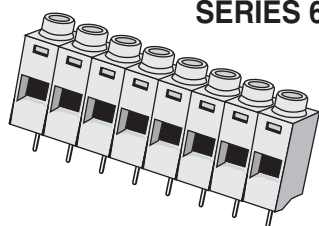


PC TERMINAL-BLOCKS

SERIES
605
256/257

SERIES 605



SERIES 605

C.S. IMQ RU CE

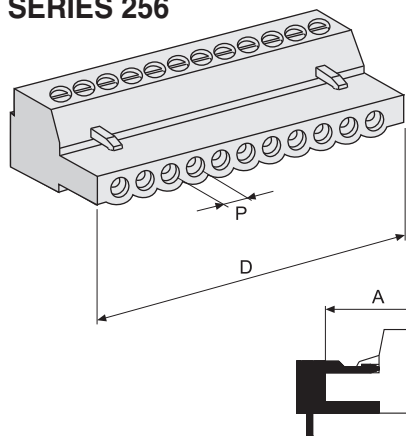
Strong PCB terminal block with mechanical elevation applied. Available with up to 18 terminals for enclosure series 175, 225, 350, 700, 1050, 1570 + 35, 52, 70, 105, 157 and 210.

TECHNICAL DATA:

Nominal voltage: 380V
Modular spacing: 5 (or 10 mm - series 610)
Terminal: Tin plated steel
Colour: Grey

TYPE 605:	ORDER CODE:
Please specify terminals/spacing	p/n 395014XX08

SERIES 256



256/5.08

C.S. IMQ 0606 VDE 0627
S S RU

Female terminal block pluggable to the male 257/5.08.

TECHNICAL DATA:

Poles: 5.08 mm module 2-24
10.16 mm module 2-12

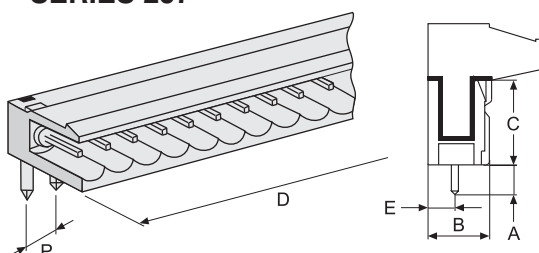
Rating: (2.5 mm²) 10A - 380V

Dimensions:	A	B	D (24 poles)	p
(mm)	18.3	14.5	122	5.08

Materials: Green polyamide 6.6
Self-extinguishing to CEI 23-20,
UL94-V0 and IEC 695-2-1 to 850°C
Temperature: Max. 85°C

TYPE 256/5.08:	ORDER CODE:
Please specify poles/module	p/n 11556XXXXX

SERIES 257



257/5.08

C.S. IMQ 0606 VDE 0627
S S RU

Male terminal block pluggable to the female holder 256/5.08.

TECHNICAL DATA:

Poles: 5.08 mm module 2-24
10.16 mm module 2-12

Hole sizes in print Ø 1.4 mm

Rating: (2.5 mm²) 10A - 380V

Dimensions:	A	B	C	D (24 poles)	E	F	P
(mm)	4.2	8	12	124	3.8	2	5.08

Materials: Green polyamide 6.6
Self-extinguishing to CEI 23-20,
UL94-V0 and IEC 695-2-1 to 850°C
Temperature: Max. 85°C
Screws torque: 0.6Nm

TYPE 257/5.08:	ORDER CODE:
Please specify poles/module	p/n 11557XXXXX

● All measurements are in mm.