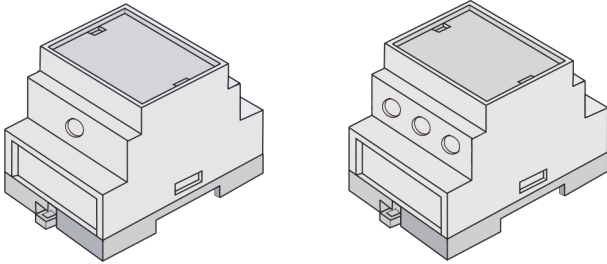


MODULE ENCLOSURES for 1 & 3 phase power meters

**SERIES
DIN**



1 or 3 Ø 10 mm tubes for current measurement.

Module enclosure for M36 DIN-rail. Series 700 for 1 & 3 phase power meters is available in 2-12 modules. If requested, available in several colours and with customer specified holes in the front. Lid, PCB, customized label and packing is available. Possibility for both base and top PCB. A closed version without terminals is also available.

TECHNICAL DATA

TOP PART:

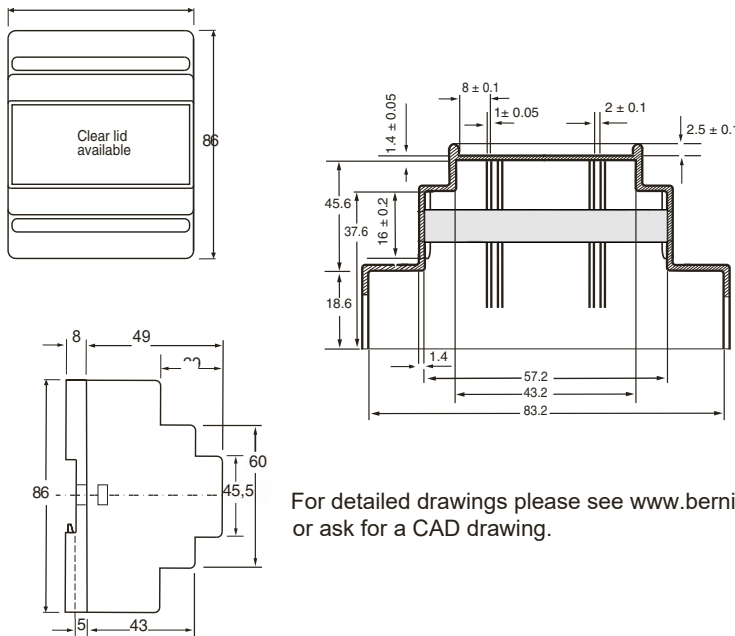
Material: Lexan 940
 Colour: Grey (RAL 7035)
 Max. temperature: 100°C
 Width: 70 mm (4 modules)
 Self-extinguishing: Acc. to UL94-V0 IP 20
 IP protection:

BASE PART:

Material: Noryl VO 1550
 Colour: Black (RAL 9005)
 Max. temperature: 100°C
 Max. wire dia.: 2 x 2.5 mm²
 Max. load: 16A (for higher load please enquire)

Terminals: 24 fixed or pluggable
 Mounting: DIN-rail (EN50022)
 Self-extinguishing: Acc. to UL94-V0

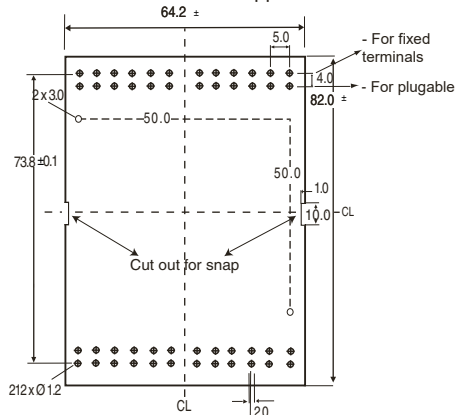
*Please note that examples shown are only for the 4 module enclosure. Many other sizes available upon request



For detailed drawings please see www.bernic.dk or ask for a CAD drawing.

HORIZONTAL PCB DIMENSIONS:

PCB shown from copperside



Options:

- open version for bigger terminals.
- no terminal numbers.
- red, grey or infra-red lid.
- click in frontpanel.
- hinged lid.
- not all versions are available for all sizes.

Many other connectors and terminal configurations are available upon request.

- All measurements are in mm.
- Please note that most pluggable terminals are in 5,08 pitch and need a bigger hole in the PCB.