

9 MODULE LOW ENCLOSURES FOR M36 DIN-RAIL

**SERIES
1570
LOW**

Module enclosure for M36 DIN-rail. Series 1570 low is, if requested, available in several colours and with custom made holes in the front. Lid, PCB, customized label and packing is available. A closed version without terminals is also available. Trimmers and spindles that fit the height of the box are available.

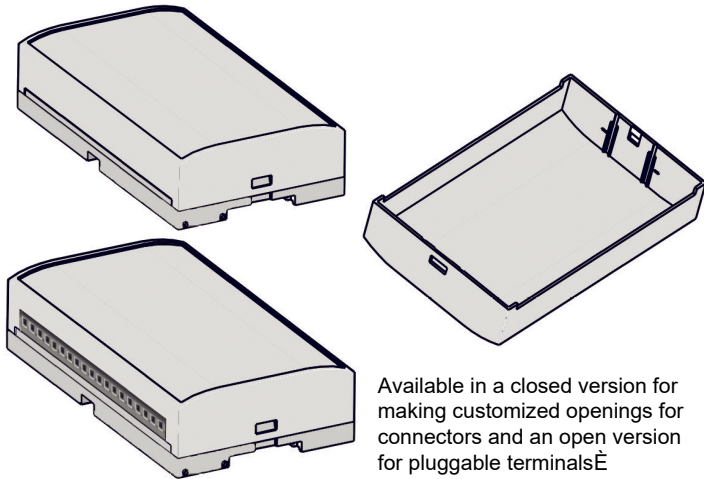
TECHNICAL DATA

TOP PART:

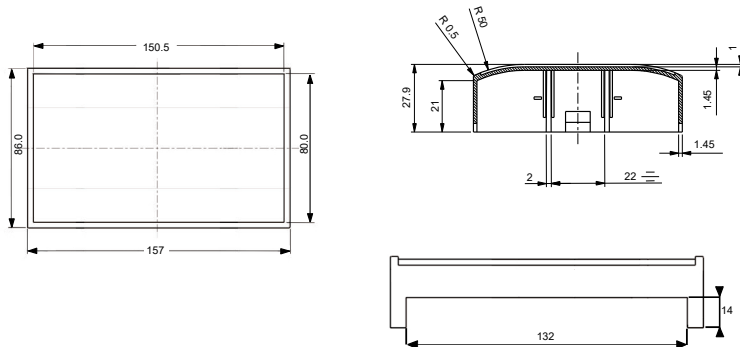
Material: Lexan 940
 Colour: Grey (RAL 7035)
 Max. temperature: 100° C
 Width: 157 mm (9 modules)
 Label measurement: 79.6 x 150.0 mm
 Self-extinguishing: Acc. to UL94-V0
 IP Protection: IP 20

BASE PART:

Material: Noryl VO 1550
 Colour: Black (RAL 9005)
 Max. temperature: 100° C
 Max. wire dia.: 2 x 2.5 mm²
 Max. load: 10A (for higher load please inquire)
 Terminals: 52 fixed or pluggable
 Mounting: DIN-rail (EN50022)
 Self-extinguishing: Acc. to UL94-V0

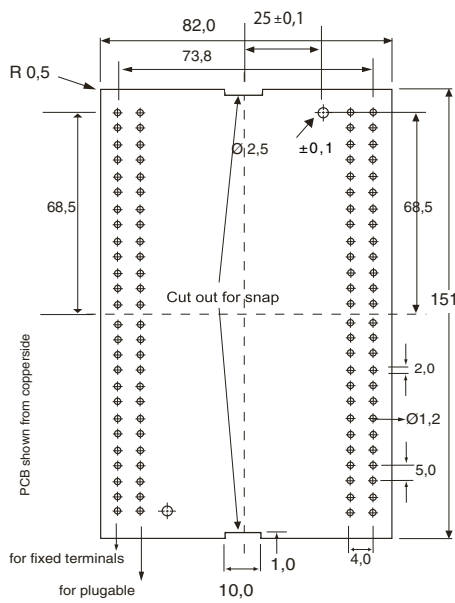


Available in a closed version for making customized openings for connectors and an open version for pluggable terminals



For detailed drawings please see www.bernic.dk or ask for a CAD drawing.

HORIZONTAL PCB DIMENSIONS:



- All measurements are in mm.
- Please note that most pluggable terminals are in 5,08 pitch and need a bigger hole in the PCB.

| TYPE 1050 low: | ORDER CODE: |
|--|----------------|
| Complete, 257 for pluggable | p/n 8069101571 |
| Complete, closed, no terminals | p/n 8069101570 |
| Top part, 257, pluggable | p/n 8069001571 |
| Top part, grey, closed, no terminals | p/n 8069006101 |
| Base part with clip and 2 screws | p/n 8069021051 |
| DIN-rail clip for 1570 | p/n 0669000604 |
| Packing for 1570 | p/n 2068157000 |
| PCB for 1570 | p/n 4999001570 |
| Terminal for 1570, 257/13, HO/A, PCB | p/n 1155718580 |
| part Terminal for 1570, 256/13, wire part | p/n 1155618080 |
| Terminal for 1570, 605/13, fixed terminals | p/n 3950141808 |
| Screw/selfcutting 2 pcs. | p/n 7006102965 |

Many more p/n available - please enquire.