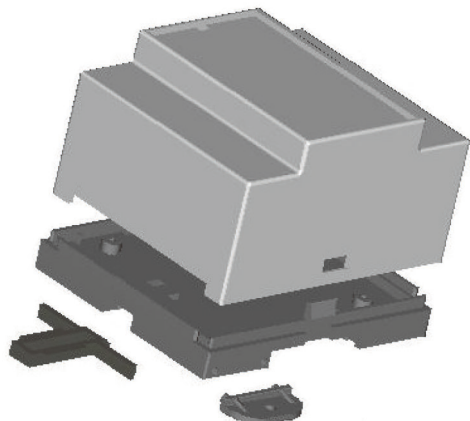


4 MODULE ENCLOSURES

High Cube for extended volume

Series
M4



Module enclosure High Cube for extended volume for M36 Din-rail. Series High Cube is designed to give more room for special connectors and larger components and if requested with custom made holes for connectors and terminals.

Lid, PCB, customized label and packing is available. Possibility for both base and top PCB. A closed version without terminals is also available.

Trimmers and spindles that fit the height of the box are available.

TECNICAL DATA

TOP PART:

Material: Lexan 940
 Colour: Grey (RAL 7035)
 Max. temperature: 100°C
 Width: 70 mm (4 modules)

Label measurement: 41.0 x 65.0 mm
 Self-extinguishing: Acc. to UL94-V0
 IP protection: IP 20

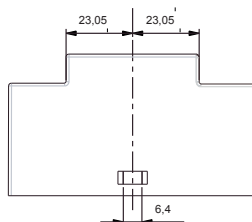
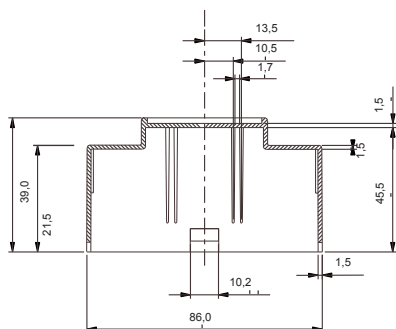
BASE PART:

Material: Noryl VO 1550
 Colour: Black (RAL 9005)
 Max. temperature: 100°C
 Max. load: Please enquire
 Terminals: 24 fixed or pluggable
 Mounting: DIN-rail (EN50022)
 Self-extinguishing: Acc. to UL94-V0

Options:

Customized versions for special connectors available.

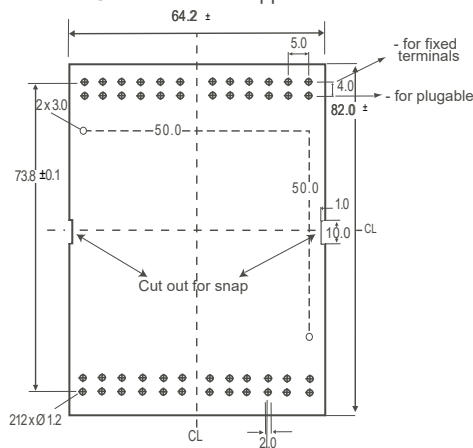
Many other connectors and terminal configurations are available upon request



For detailed drawings please see www.bernic.dk or ask for a CAD drawing.

HORIZONTAL PCB DIMENSIONS:

PCB shown from copperside



TYPE High/High extended volume	ORDER CODE:
Complete, 257 for pluggable	p/n 4979370701
Complete, 605 for fixed terminals	p/n 4979370702
Complete, closed, no terminals	p/n 4979370700
Top part, 257, pluggable	p/n 4977350701
Top part, Power terminals	p/n 4977350702
Top part grey, closed, no terminals	p/n 4977350700
Base part with clip and 2 screws	p/n 4969002701
Transparent lid for 1050	p/n 4969001700
Packing for 1050	p/n 2068700001
PCB for 1050	p/n 4999000700
Terminal for 1050, 257/12, HO/A, PCB	p/n 1155712580
part Terminal for 1050, 256/12, wire part	p/n 1155612080
Terminal for 1050, Power terminals	p/n 3950141208
Screw/selfcutting 2 pcs.	p/n 7006102965

Many more p/n available - please enquire.

- All measurements are in mm.
- Please note that most pluggable terminals are in 5,08 pitch and need a bigger hole in the PCB.