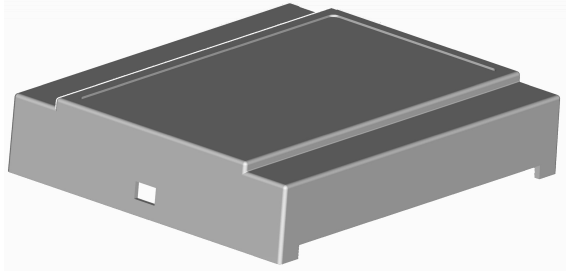
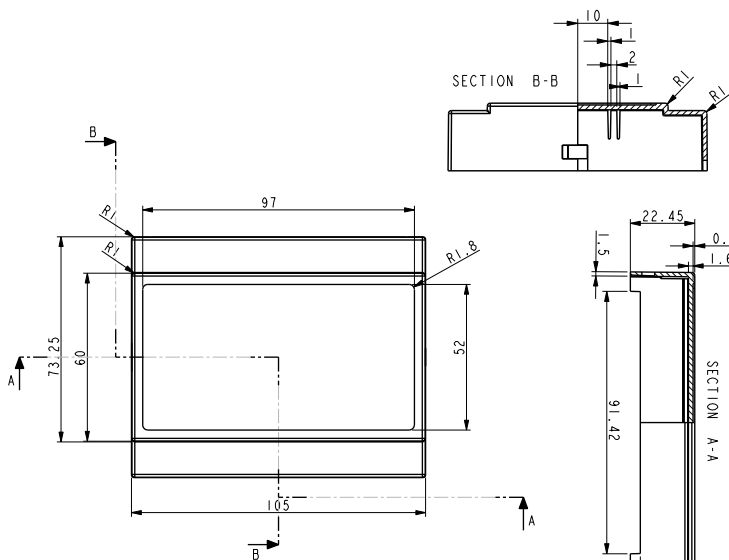


6 MODULE LOW ENCLOSURES FOR M36 DIN-RAIL

**SERIES
1050
FLAT**



Module enclosure for M36 DIN-rail. Series 1050 flat is, if requested, available in several colours and with custom made holes in the front. Lid, PCB, customized label and packing is available. A closed version without terminals is also available. Trimmers and spindles that fit the height of the box are available.



For detailed drawings please see www.bernic.dk or ask for a CAD drawing

TECHNICAL DATA

TOP PART:

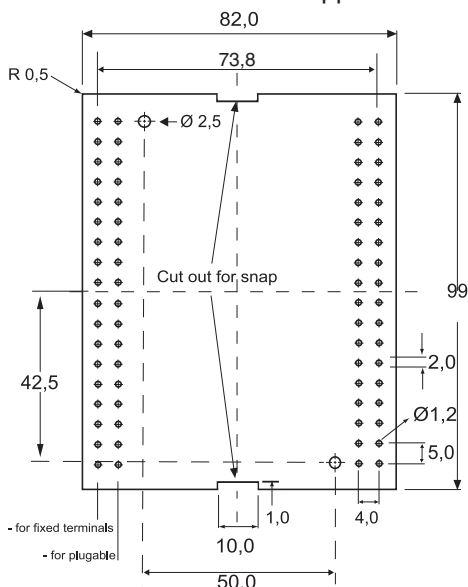
Material: Lexan 940
 Colour: Grey (RAL 7035)
 Max. temperature: 100° C
 Width: 105 mm (6 modules)
 Label measurement: 1 Gmm x 91 mm
 Self-extinguishing: Acc. to UL94-V0
 IP Protection: IP 20

BASE PART:

Material: Noryl VO 1550
 Colour: Black (RAL 9005)
 Max. temperature: 100° C
 Max. wire dia.: 2 x 2.5 mm²
 Max. load: 10A (for higher load please inquire)
 Terminals: 36 fixed or pluggable
 Mounting: DIN-rail (EN50022)
 Self-extinguishing: Acc. to UL94-V0

HORIZONTAL PCB DIMENSIONS

PCB shown from copperside



● All measurements are in mm.

●● Please note that most pluggable terminals are in 5,08 pitch and need a bigger hole in the PCB

TYPE 1050 low:	ORDER CODE:
Complete, closed, no terminals	p/n 49793491052
Top part, 257, pluggable	p/n 49793491051
Top part, grey, closed, no terminals	p/n 49793491050
Base part with clip and 2 screws	p/n 4969021051
Terminal for 1050, 257/18, HO/A, PCB part	
Terminal for 1050, 256/18, wire part	
Terminal for 1050, 605/18, fixed terminals	
Screw/selfcutting 2 pcs.	

Many more p/n available - please enquire.