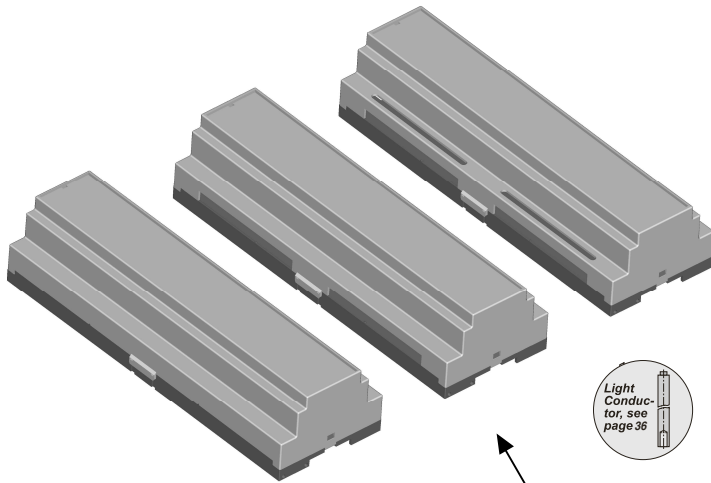
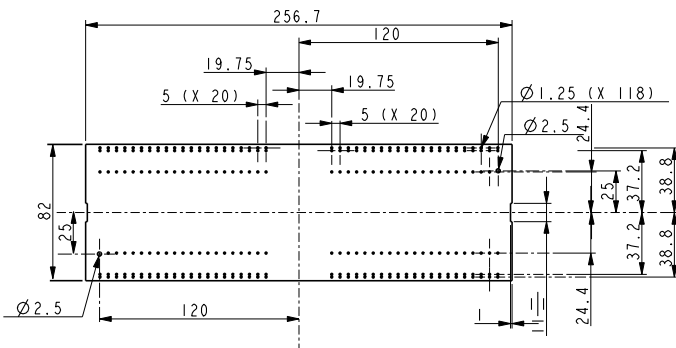
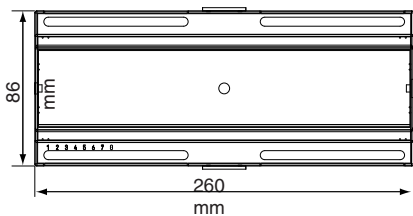
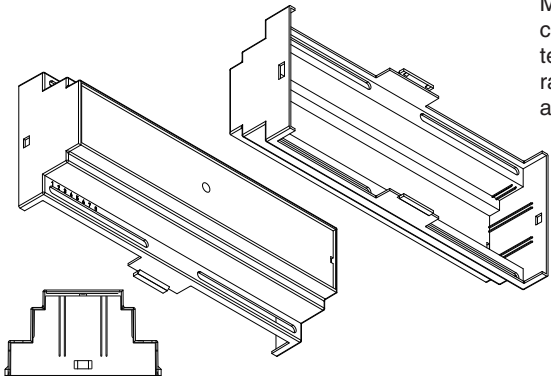


15 MODULE ENCLOSURES FOR M36 DIN-RAIL

**SERIES
2600**



Many other connectors and terminal configurations are available upon request.



For detailed drawings please see www.bernic.dk or ask for a CAD drawing

Module enclosure for M36 DIN-rail. Series 2600 is, if requested, available in several colours and with custom made holes in the front.

Lid, PCB, customized label and packing is available. Possibility for both base and top PCB. A closed version without terminals is also available.

Trimmers and spindles that fit the height of the box are available.

TECHNICAL DATA:

TOP PART:

Material: Lexan 945
Colour: Grey (RAL 7035) 100°C
Max. temperature: 260 mm
Width: (15 modules)

label measurement: 41.6 x 257.7
Self-extinguishing: Acc. to UL94-V0
IP Protection: IP 20

BASE PART:

Material: Noryl VO 1550
Colour: Black (RAL 9005)
Max. temperature: 100°C
Max. wire dia.: 2 x 2.5 mm²
Max. load: 10A (for higher load please enquire)

Terminals: 88 fixed or plugable
Mounting: DIN-rail (EN50022)
Self-extinguishing: Acc. to UL94-V0

TYPE 2600:	ORDER CODE
Complete, 257 for plugable	p/n 4969012601
Complete, 605 for fixed terminals	p/n 4969012602
Complete, closed, no terminals	p/n 4969012600
Top part, grey, 605/250, fixed terminals	p/n 8842552602
Top part, grey, 257, plugable	p/n 8842552601
Top part, grey, closed, no terminals	p/n 8842552665
Base part with clip and 2 screws	p/n 8842212665
DIN-rail clip for 2600	p/n 0669000604
Screw/self tapping 2 pcs.	p/n 7006102965

Many more p/n available - please enquire.

- All measurements are in mm
- Please note that most plugable terminals are in 5,08 pitch and need a bigger hole in the PCB