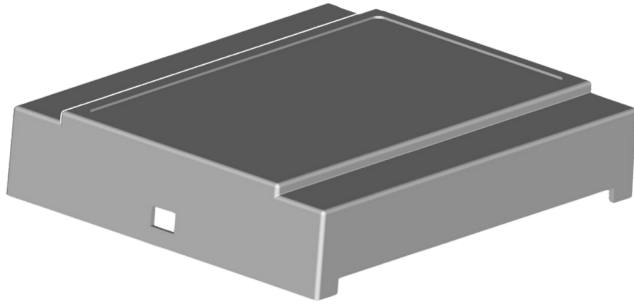


6 MODULE FLAT ENCLOSURES FOR M36 DIN-RAIL

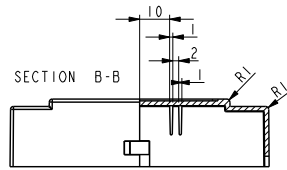
**SERIES
1050 FLAT**



The Series 1050 flat is a compact 6 module enclosure, designed for applications that don't require extra space above the PCB. By reducing this space and eliminating the need for long spindles for switches, trimmers, and light guides for LEDs, this enclosure helps our customers save money and space.

Series 1050 flat is, if requested, available with engraved terminal numbers and symbols, and with custom made holes in the front.

Lid, PCB, customized label, and packing is available. A closed version without terminals is also available. Light conductors and spindles that fit the height of the box are available.



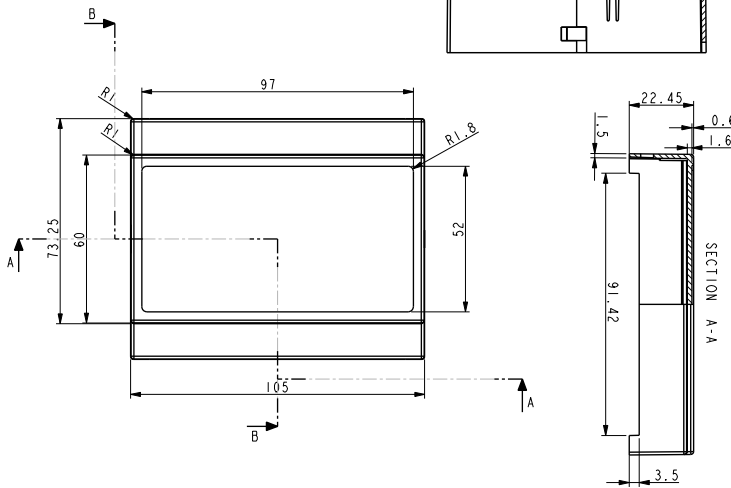
TECHNICAL DATA

TOP PART:

Material: Lexan 940
 Colour: Grey (RAL 7035)
 Max. Temperature: 100° C
 Width: 105 mm (6 modules)
 Label Measure: 52 x 97 mm
 Self-extinguishing: Acc. To UL94-V0
 IP Protection: IP 20

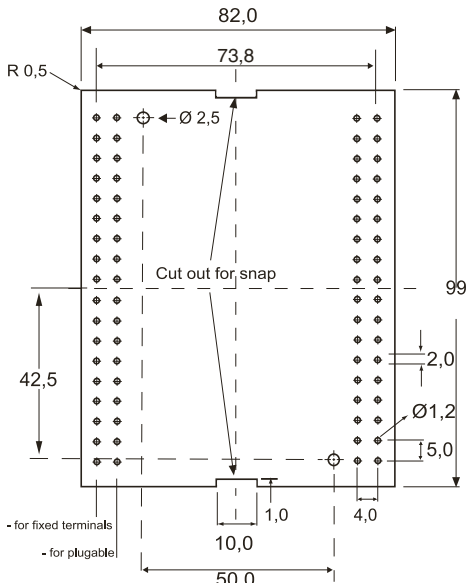
BASE PART:

Material: Noryl VO 1550
 Colour: Black (RAL 9005)
 Max. Temperature: 100° C
 Max. Wire dia: 2x2.5mm²
 Max. Load: 10A (for higher load please inquire)
 Terminals: 36 fixed or plugable
 Mounting: DIN-rail (EN50022)
 Self-extinguishing: Acc. To UL94-V0



For detailed drawings please see www.bernic.dk or ask for a CAD drawing

HORIZONTAL PCB DIMENSIONS: PCB shown from copperside



TYPE 1050 FLAT:	ORDER CODE:
Type 1050 flat top grey/closed	p/n 49793491050
Type 1050 flat top grey/257	p/n 49793491051
Type 1050 flat top grey/605	p/n 49793491052
Type 1050 flat complete grey/closed	p/n 49793481051
Type 1050 flat complete grey/257	p/n 49793481052
Type 1050 flat complete grey/605	p/n 49793481053
Basepart with clip and 2 screws	p/n 4969021051

Many more p/n available - please enquire.

*All measurements are in mm.

**Please note that most plugable terminals are in 5,08 pitch and need a bigger hole in the PCB