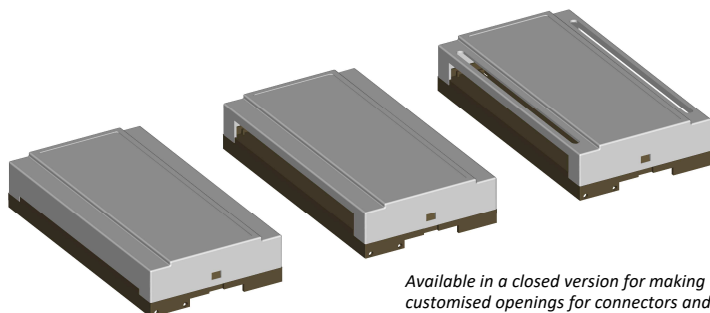


9 MODULE FLAT ENCLOSURES FOR M36 DIN-RAIL

**SERIES
1570 FLAT**



Available in a closed version for making customised openings for connectors and an open version for pluggable terminals.

The Series 1570 flat is a compact 9 module enclosure, designed for applications that don't require extra space above the PCB. By reducing this space and eliminating the need for long spindles for switches, trimmers, and light guides for LEDs, this enclosure helps our customers save money and space.

Series 1570 flat is, if requested, available with engraved terminal numbers and symbols, and with custom made holes in the front.

Lid, PCB, customized label, and packing is available. A closed version without terminals is also available. Light conductors and spindles that fit the height of the box are available.

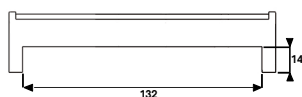
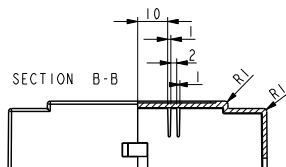
TECHNICAL DATA

TOP PART:

Material:	Lexan 940
Colour:	Grey (RAL 7035)
Max. Temperature:	100° C
Width:	157 mm (9 modules)
Label Measure:	52 x 150.0 mm
Self-extinguishing:	Acc. To UL94-V0
IP Protection:	IP 20

BASE PART:

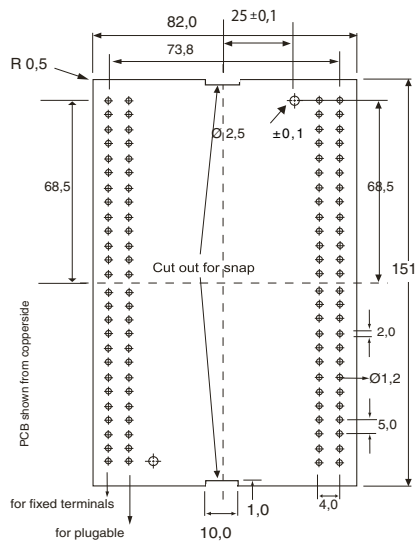
Material:	Noryl VO 1550
Colour:	Black (RAL 9005)
Max. Temperature:	100° C
Max. Wire dia:	2x2.5mm ²
Max. Load	10A (for higher load please inquire)
Terminals:	52 fixed or pluggable
Mounting:	DIN-rail (EN50022)
Self-extinguishing:	Acc. To UL94-V0



For detailed drawings please see www.bernic.dk or ask for a CAD drawing

HORIZONTAL PCB DIMENSIONS:

PCB shown from copperside



TYPE 1570 FLAT:	ORDER CODE:
Type 1570 flat top grey/closed	p/n 8069006101
Type 1570 flat top grey/257	p/n 8069001571
Type 1570 flat top grey/605	p/n 8069001572
Type 1570 flat complete grey/closed	p/n 8069101570
Type 1570 flat complete grey/257	p/n 8069101571
Type 1570 flat complete grey/605	p/n 8069101572
Basepart with clip and 2 screws	p/n 4969021571

Many more p/n available - please enquire.

*All measurements are in mm.

**Please note that most pluggable terminals are in 5,08 pitch and need a bigger hole in the PCB